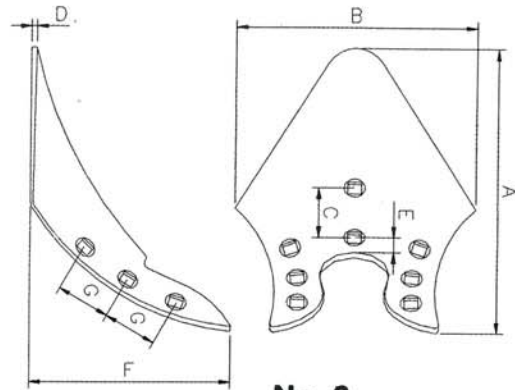


No. 5.5



No. 6

Description	No.	Dimensions							Bolt Size (mm)	Part No.
		A	B	C	D	E	F	G		
10"	5	200	260	40	6	20	100	45	12	F500H101
12"	5	240	300	40	6	20	100	45	12	F05000487/290